

The 8100 Energy Recovery Ventilator expels stale indoor air and brings in fresh outside air with minimal impact on the heating and cooling efforts of the HVAC system.

FEATURES

- + Provides a constant and controlled supply of fresh air year-round
- + EnergyMax® transfer core technology uses the conditioned air being expelled to heat the incoming fresh air in the winter, reducing value loss from indoor air
- + EnergyMax® core also removes moisture and cools the incoming fresh air in the summer the same way it warms the air in the winter
- + Unit is designed, when properly installed, to achieve ASHRAE standard 62.2–2010*
- + Can run continuously without a controller or on a schedule when wired to an 8120X ventilation controller*
- + Minimal maintenance required
- + Quiet operation

*Pat. No. 9,874,366



BENEFITS

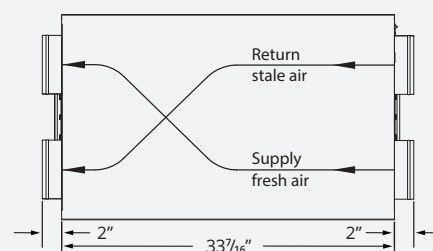
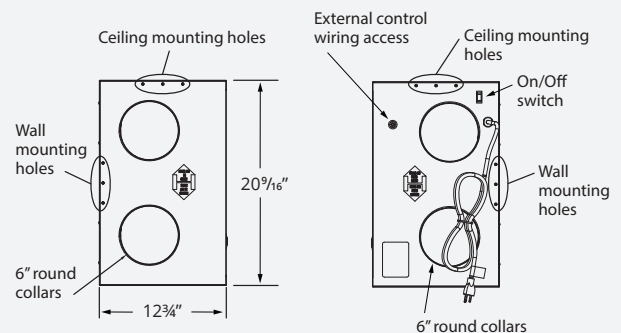
- + Brings fresh air into the home
- + Helps remove moisture from incoming air during warmer months
- + Reduces indoor air pollution by expelling pollutants that can build up indoors
- + Reduces energy costs by tempering incoming fresh air with outgoing air

When properly installed and set, the Aprilaire Model 8100 will meet the mechanical ventilation requirements of:

- + ASHRAE standard 62.2–2010
- + 2012 & 2015 International Residential Code (IRC)
- + 2012 & 2015 International Mechanical Code (IMC)

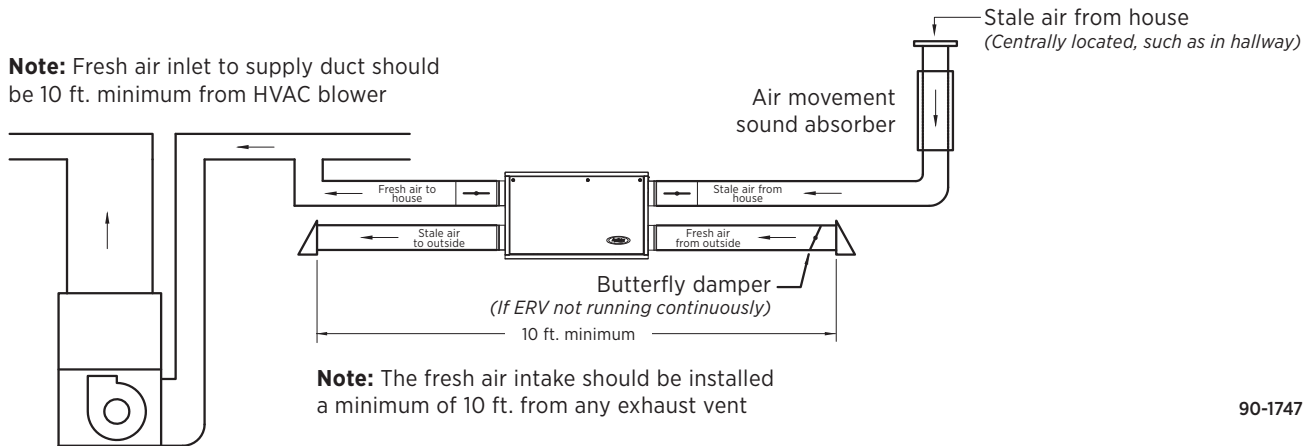
SPECIFICATIONS

Overall dimensions	33 ⁷ / ₁₆ " W x 20 ⁹ / ₁₆ " H x 12 ³ / ₄ " D
EnergyMax® transfer core	12 ¹ / ₈ " x 12 ¹ / ₈ " x 10 ³ / ₄ "
Air flow capacity	120 cfm @ 0.30 in. w.g. external ductwork resistance, i.e., 240 equivalent feet for each of the "fresh" and "stale" air streams.
Performance	Apparent Sensible Effectiveness (ASE) — 77% at rated ventilation capacity with 72° F indoor temperature and 32° F outdoor temperature.
Home size	Up to 3600 sq. ft. home at rated air flow.
Power requirements	120VAC, 1.4 ampere maximum. Unit equipped with a 3 ft. grounded power cord.
Interior insulation	Entire interior surface is sealed with 1" single face insulation.
Filters	(2) — 10 ¹ / ₁₆ " x 11 ¹ / ₁₆ " x ³ / ₃₂ " EZ Kleen® air filters coated with Super Filter Coat adhesive for maximum performance.
Unit weight and packaging	Total shipping weight with mounting hardware — 76 lbs.



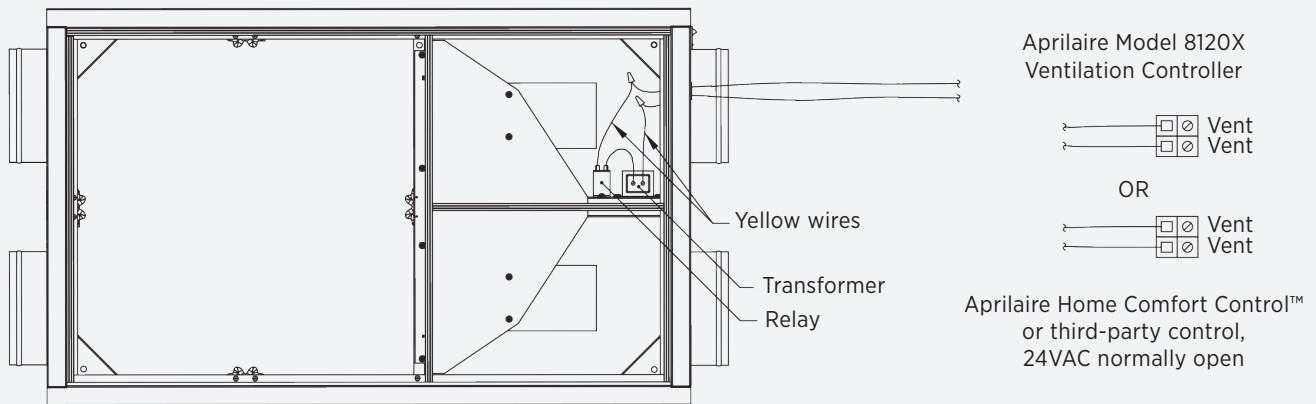
ERV Ducting Installation

Note: Fresh air inlet to supply duct should be 10 ft. minimum from HVAC blower



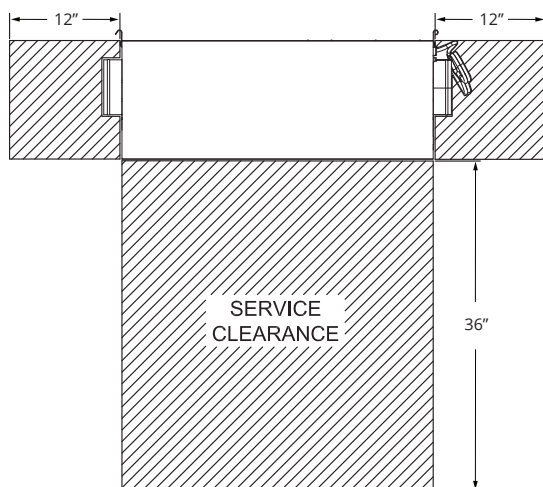
90-1747

Wiring to 8120X Ventilation Controller



90-1749

Service Clearance for ERV



90-1743