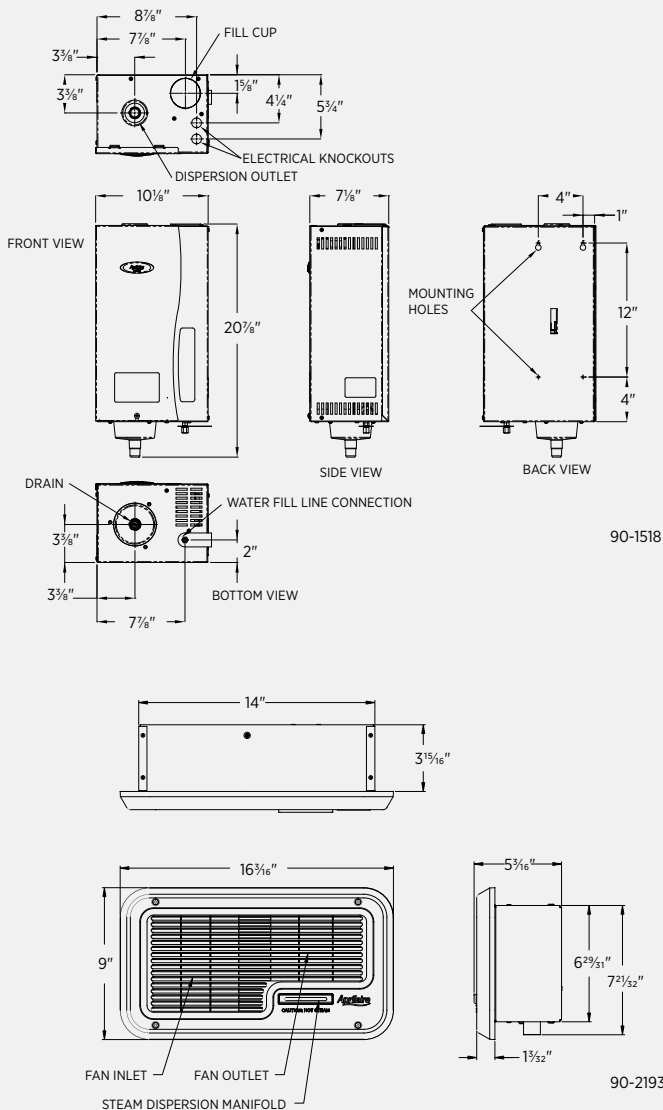


STEAM CAPACITY Gallons/Day	VOLTAGE	HERTZ	CURRENT DRAW	
			Amps	kW
11.5	120V	60 Hz	11.5	1.4
16.0			16.0	1.9
20.5			11.5	2.4
30.0	208V	60 Hz	16.0	3.3
23.3			11.5	2.8
34.6	240V	60 Hz	16.0	3.8



FEATURES

- + The Fan Pack marries with the Aprilaire Model 800 Steam Humidifier to provide comfortable humidity levels in homes without duct work.
- + Model 800, Fan Pack, Model 65 digital humidistat and Model 4028 drain trap assembly, steam hose and drain tube (included).
- + Proven design using electrode technology perfected by Dri-Steam, a subsidiary of Research Products.
- + One unit can provide between 11.5 and 34.6 gallons per day.
- + Recessed into a wall and connects directly to the Model 800 Steam Humidifier.
- + Canister does not require cleaning or scrubbing—simply remove it and replace.
- + Operation makes the Fan Pack practically unnoticeable.
- + Designed to blend into a home's environment.

