

Project: _____

Architect: _____

Contractor: _____

Suppliers: _____

Dealer: _____

Engineer: _____

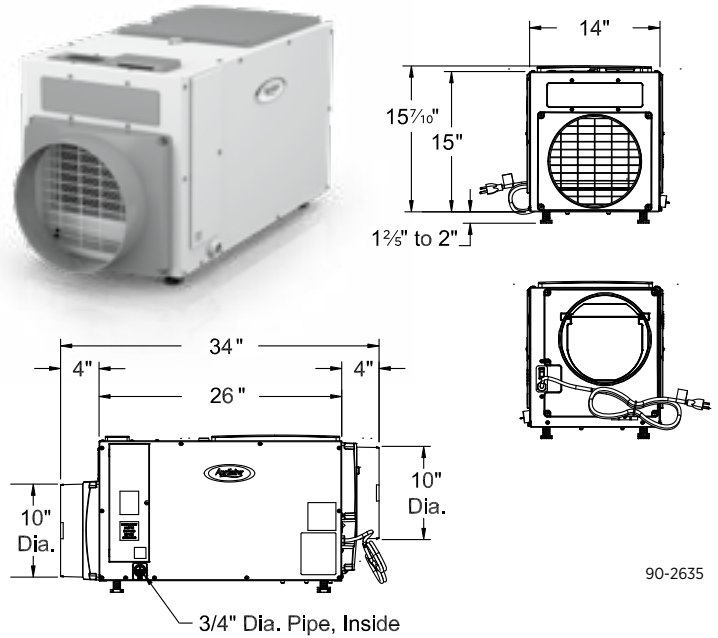
Location: _____

Date: _____

SPECIFICATIONS	
Capacity⁽¹⁾ (water removal)	100 ppd
Energy factor⁽¹⁾ (efficiency)	2.6 L/kW-h (5.5 pints/kW-h)
Voltage, phase, frequency	115 VAC, 1 Phase, 60Hz
Current draw⁽¹⁾	6.9 Amps
Airflow @ varying E.S.P. (external static pressure - dry coil)	
	0.0" w.c. 280 CFM
	0.2" w.c. 245 CFM
	0.4" w.c. 210 CFM
Noise-Fan Only	55.0 dBA ducted
Dimensions (cabinet only)⁽²⁾	Width: 14" Height: 15" Length: 26"
Unit Weight	64 lbs.
Shipping Weight	83 lbs.
Control	Built in digital control with display
Filter	Washable MERV 8 (Part Number 5881)
Refrigerant	R410A
Coil type	Corrosion-resistant aluminum
8' Power cord	Plug type
Duct connection	10" round
Drain connection	3/4" nominal drain tubing; Supplemental barb fitting for 3/4" clear drain tubing
Control mounting	Field interchangeable from top to front
Cabinet insulation	1/2" EPS
Air discharge	Interchangeable from end to top
Duct collars	10" round at inlet and outlet
Backdraft damper	Included in outlet duct collar
Warranty	5 Years

⁽¹⁾Rated capacity, energy factor and current draw measured at 80°F/60% RH inlet air at 0.0 ESP.

⁽²⁾Height does not include adjustable feet. The width excludes the filter doors and length excludes the duct collars.



GENERAL DESCRIPTION

The Model 8192A Ventilator with Dehumidification brings in fresh air to meet ventilation needs while removing the high humidity that comes in with the outdoor air. Fresh air is brought in when the air conditioning is running to allow the cooling equipment to remove humidity from the air. If ventilation needs cannot be met when the air conditioning is running the Model 8192A brings in fresh air and removes the humidity with the integral dehumidification system. The desired amount of ventilation and the maximum allowable humidity level is set using the built-in control which then measures the humidity of the air to determine if dehumidification is needed. Energy savings, while meeting the ventilation need, is optimized by using high and low temperature limits to bring in outdoor air when temperatures are more moderate.

The provided 8' power cord with plug allows for a simple installation, requiring a 120VAC outlet and 24 volt wiring to HVAC system. Installation temperature range up to 140°F. The integrated digital display and control allows the %RH and the ventilation time setting to be adjusted. The unit is provided with removable, washable filter.

When properly installed it will meet the following mechanical ventilation requirements:

- + ASHRAE 62.2
- + Energy Star Certified Homes
- + EPA Indoor airPLUS
- + International Residential Code (IRC)

The submittal is intended to show general, overall product dimensions and provide guidance for installation clearance. Drawings are not to scale. Ensure submittals are current. Research Products reserves the rights to make product change without notifications or obligations.