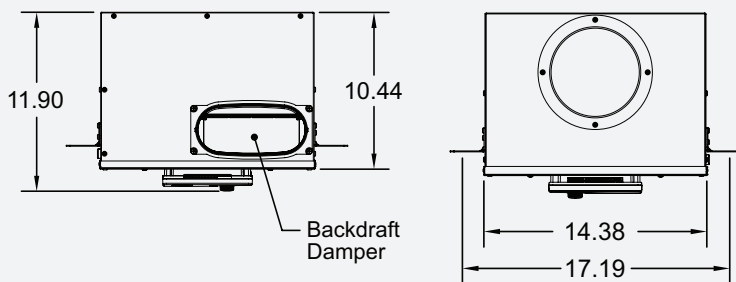
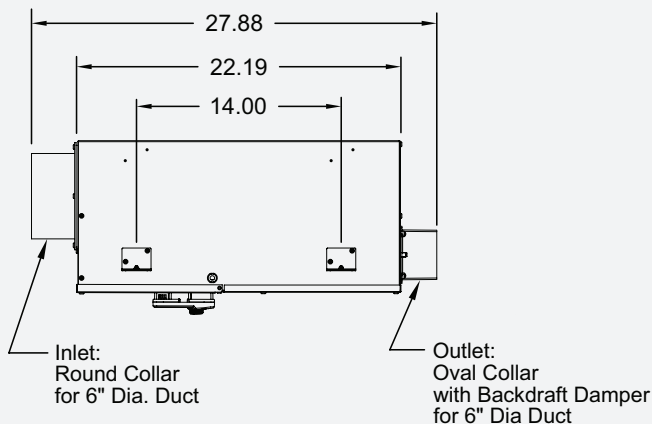


# 8141 VENTILATOR WITH BACKDRAFT DAMPER & FILTER

## SPECIFICATIONS

<b>Overall Dimensions</b>	11.9" H x 14.4" W x 27.8" L
<b>Inlet Collar</b>	6" Round
<b>Outlet Collar</b>	6" Oval
<b>Ventilation Time Dial Setting</b>	Off, 15-60 minutes, (5 min. increments), Test/Reset
<b>Ambient Temperature</b>	0°F to 160°F
<b>Outdoor Temperature Limit Settings</b>	Setting "A", no limit, time only "B", 105°F high limit, 20°F low limit "C", 100°F high limit, 30°F low limit "D", 95°F high limit, 40°F low limit
<b>Voltage</b>	115 VAC, 1 phase, 60 Hz
<b>Power</b>	Includes 5' power cord with 5-15P plug
<b>Ducting</b>	6" diameter flexible insulated duct
<b>Warranty</b>	5 years
<b>ETL</b>	Tested to UL Standard 705 - Power Ventilators Not For Outdoor Use



## FEATURES

- + Unit is designed, when properly installed, to achieve ASHRAE Standard 62.2-2010
- + Operates a minimum of one hour out of every four to meet 2012 & 2015 IRC requirements
- + Complies with 2012 & 2015 IECC (2.8 cfm/watt)
- + Control is integrated into the ventilator
- + High and Low Temperature Limit Lock-outs while maintaining ASHRAE Standard 62.2-2010
- + Simple plug-in installation
- + Installation temperature range up to 160°F
- + Removable, washable filter

## BENEFITS

- + The precise amount of outside air needed in today's efficiently designed homes is delivered
- + Optimize energy savings by locking out ventilation during hottest/coldest times of the day
- + Improves indoor air quality
- + Robust design handles hot attics up to 160°F
- + Installation labor reduced, requires only a switched outlet and 24 volt wiring to HVAC system
- + Furnace or air handler does not require an ECM motor to meet efficacy requirement

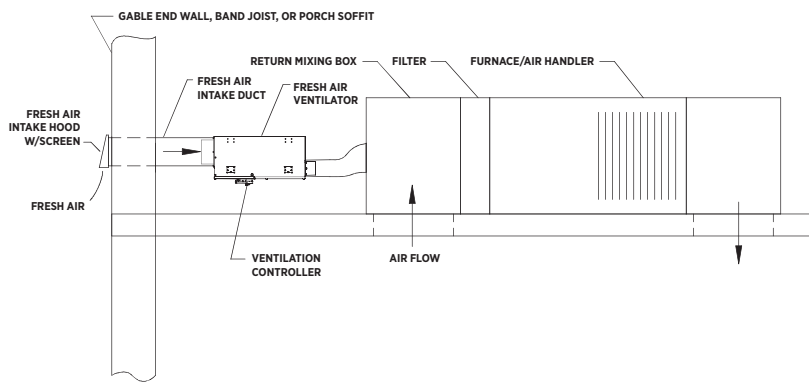
When properly installed and set, the Aprilaire Model 8141 Fresh Air Ventilator will meet the mechanical ventilation requirements of:

- + Energy Star Certified Homes, Version 3
- + EPA Indoor airPLUS, Version 1
- + 2012 & 2015 International Residential Code (IRC)
- + 2012 & 2015 International Energy Conservation Code (IECC)
- + California Energy Commission Title 24

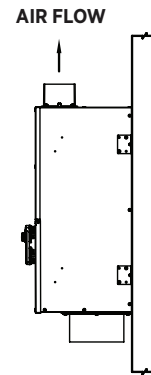
PERFORMANCE				
Static Pressure* (in WC)	Airflow (CFM)	Current (amps)	Power (watts)	Efficacy (CFM/watt)
0.0	285	0.4	53	5.39
0.2	250	0.4	53	4.70
0.4	195	0.4	52	3.75
0.6	130	0.4	50	2.62
0.8	25	0.4	44	0.52

\* Measured across ventilator.

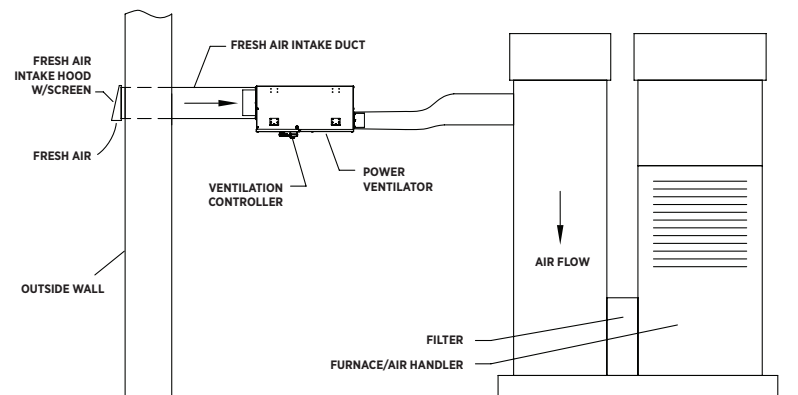
## Typical Attic Installation



## Mounted to the Wall



## Typical Basement Installation



## Mounted to the Joist

