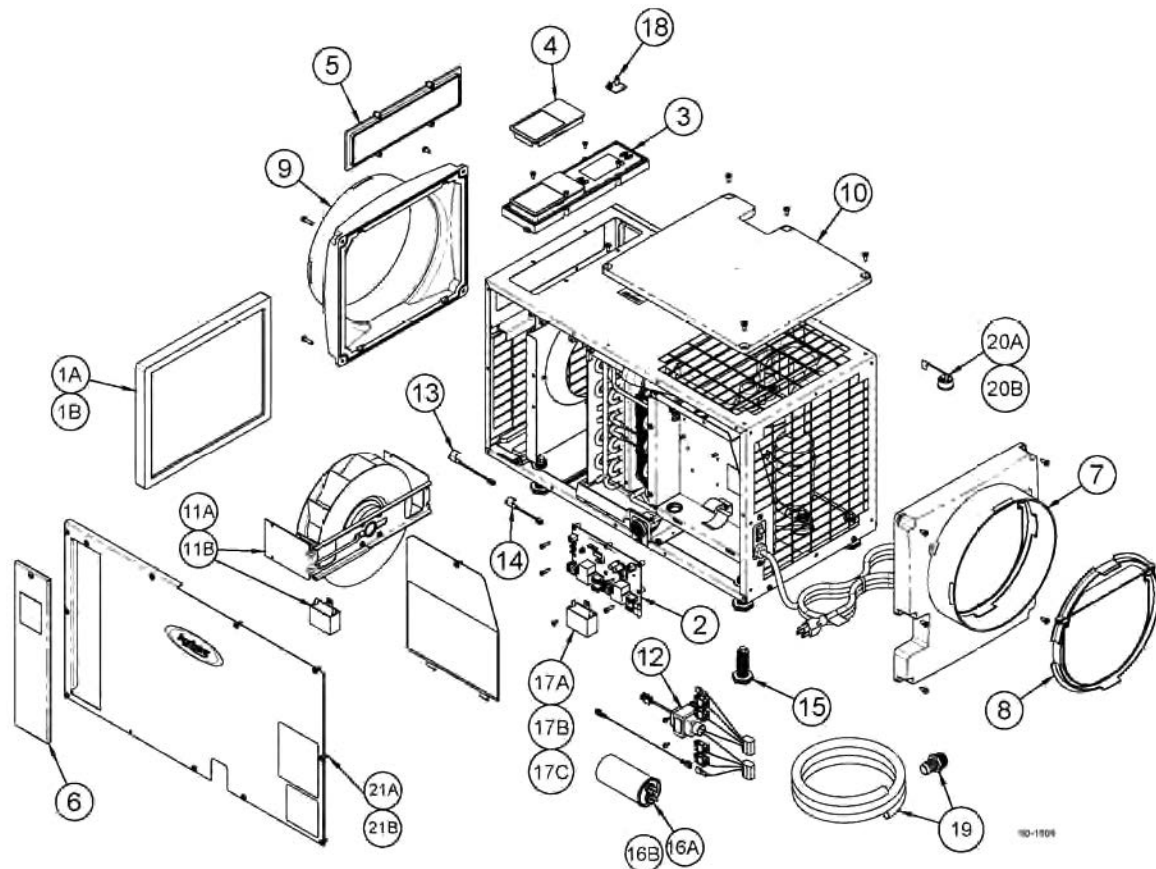


**Model 1830/1830W/1850/1850F/1850W/1852 Dehumidifiers**

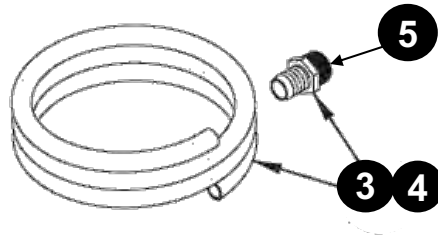


NO.	PART DESCRIPTION	SELL PACK *Must be ordered in multiples of*	PART NO.
1A	Filter, 10" x 12" x 1" EZK (1830, 1850 & 1852)*	1	5443
1B	Filter, 12" x 12" x 1" EZK (1850F Only)	1	5499
2	Internal Control Board	1	5444
3	User Interface Assembly	1	5445
4	Wiring Access Door	1	5446
5	UI Control Hole Cover	1	5447
6	Filter Access Door (1830 & 1850)	1	5448
7	Outlet Duct Panel	1	5449
8	10" Backflow Damper	1	5450
9	Inlet Duct Panel	1	5451
10	Outlet Cover	1	5452
11A	70 Pint Dehumidifier Fan	1	5453
11B	95 Pint Dehumidifier Fan	1	5467
12	Transformer and Wire Harness	1	5454
13	Low Temperature Sensor	1	5455
14	High Temperature Sensor	1	5456
15	Leveling Foot*	1	5457
16A	Compressor Run Capacitor, 70pt, 45MFD, 370VAC	1	5458
16B	Compressor Run Capacitor, 95pt, 50MFD, 370VAC	1	5594
17A	Fan Run Capacitor, 8MFD, 450VAC, Used on Model 1830 with Serial Number Before 112015A09596	1	5459
17B	Fan Run Capacitor, 6MFD, 250VAC, Used on Model 1830(W) with Serial Number 112015A09596 or Later	1	5582
17C	Fan Run Capacitor, 12MFD, 250VAC, Used on Models 1850(F)(W) & 1852	1	5468
18	RH Sensor used on models with detachable Temp/RH daughter board	1	5460
19	Drain Tube + Fittings**	1	See Page 4 for Details
20A	Compressor Overload Switch, 70pt	1	5547
20B	Compressor Overload Switch, 95pt	1	5548
21A	Right Service Panel for 1830	1	5918
21B	Right Service Panel for 1850	1	5920
<b>OTHER PARTS (Not Shown)</b>			
	Low Profile Condensate Pump with 20' of 3/8" Drain Tube	1	4856
	Basement Kit (2-10" N/O Dampers, 2-10" N/C Dampers & 1 Transformer)	1	5442
	Digital Dehumidifier Control (for All Current Dehumidifiers)	1	76
	Living Space Duct Kit (25' of Insulated Flex Duct with 2 Quick Install Grilles and 2 Reducers)	1	5546
	Dehumidifier Hanging Kit	1	5660
	Hanging Kit for 1800 Series Dehumidifiers	1	5822
	Left Service Panel for 1830	1	5917
	Left Service Panel for 1850	1	5919

\* Not Compatible with 1850F

\*\*Drain Tube Only Included with 1850F/1852

## Drain Fittings for 1800-Series and E-Series Dehumidifiers



NO.	PART DESCRIPTION	SELL PACK *Must be ordered in multiples of*	PART NO.
1	Original Drain Fittings, 1/2" MNPT x 1/2" Barb & 3/4" M Slip x 1/2" FNPT Reducer	1	5461
2	2nd Generation Drain Fitting, Custom Outlet Barb 3/4" M Slip x 1/2" Barb	1	5585
3	New Threaded Fitting, 3/4" MNPT x 3/4" Barb, with 5ft of 3/4" Drain Tube	1	5665
4	New Threaded Fitting, 3/4" MNPT x 3/4" Barb, with 10ft of 3/4" Drain Tube <sup>1</sup>	1	5692
5	New Threaded Fitting, 3/4" MNPT x 3/4" Barb (Fitting Only) <sup>1</sup>	1	5693

<sup>1</sup>E-Series Dehumidifiers use #5693 Threaded Fitting or #5692 Threaded Fitting and Drain Tube