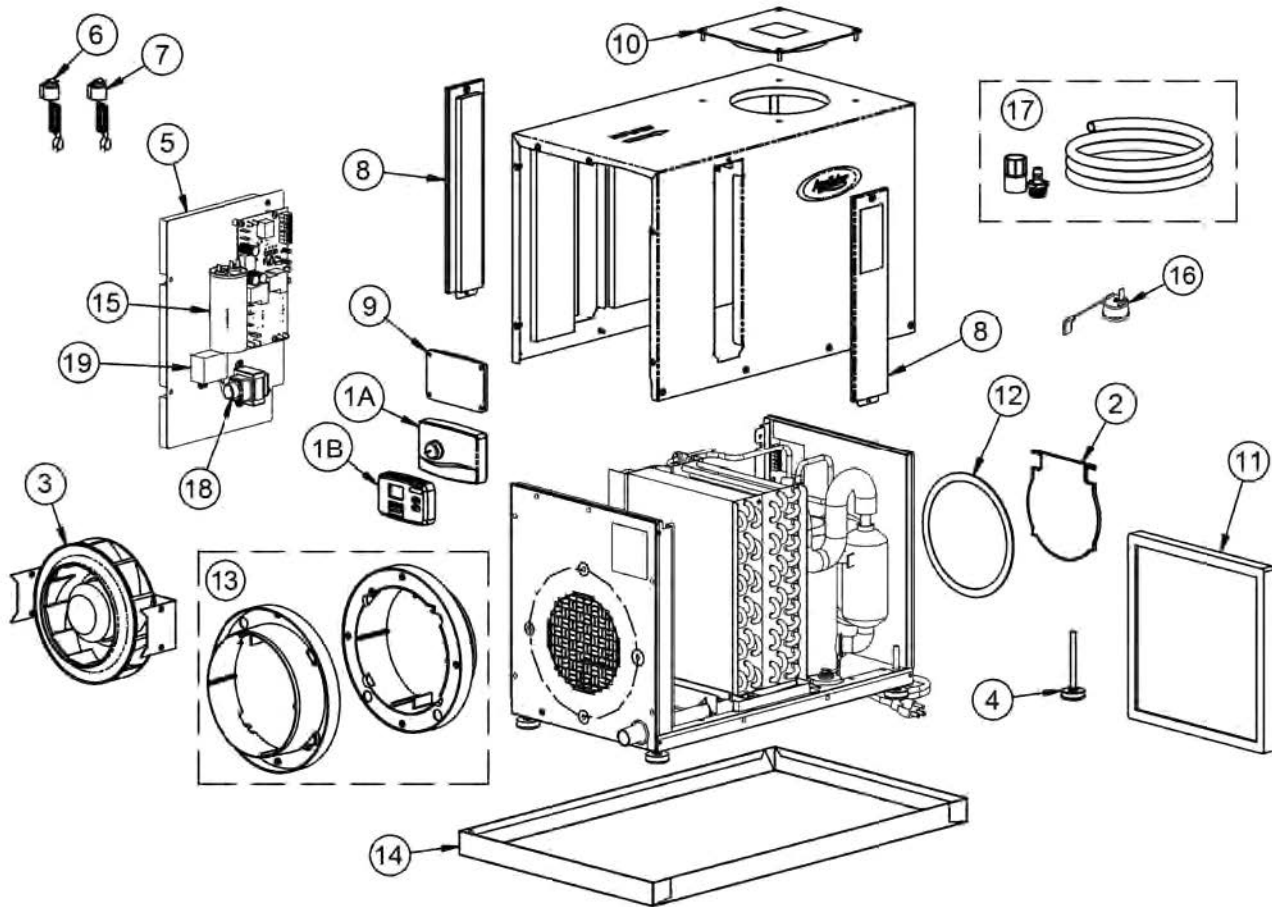


Model 1730A with R410A Dehumidifier



NO.	PART DESCRIPTION	SELL PACK *Must be ordered in multiples of*	PART NO.
1A	Dehumidistat Control Assembly	1	4917
1B	Digital Dehumidifier Control	1	76
2	Backflow Damper	1	4918
3	Impeller with Bracket (Blower Assembly) ³	1	5332
4	Leveling Foot	1	4920
5	Control PCB Assembly ⁴	1	5329
6	High Temperature Cutout Switch	1	4924
7	Low Temperature Cutout Switch	1	4925
8	Filter Access Door Assembly	1	4926
9	Dehumidistat Hole Cover	1	4927
10	Outlet Cover Plate	1	4928
11	Air Filter	1	4904
12	Inlet/Outlet Screen	1	4930
13	Duct Collars	2	4751
14	Auxiliary drain pan	1	4911
15	Capacitor, 55MFD	1	4922
16	Compressor Overload Switch	1	5324
17	Condensate Drain Hose Assembly	1	4863
18	10VA Transformer with Wire Harness	1	5398
19	Capacitor, 10MFD for Impeller	1	5399
OTHER PARTS - NOT INCLUDED			
	Low Profile Condensate Pump with 20' of 3/8" Drain Tube	1	4856
	Living Space Duct Kit (25' of 8" Insulated Flex Duct with 2 Quick Install Grilles)	1	4857
	Living Space Duct Kit (25' of Insulated Flex Duct with 2 Quick Install Grilles and 2 Reducers)	1	5546

³ Part No. 4919 replaced by 5332

⁴ Part No. 4923 replaced by 5329